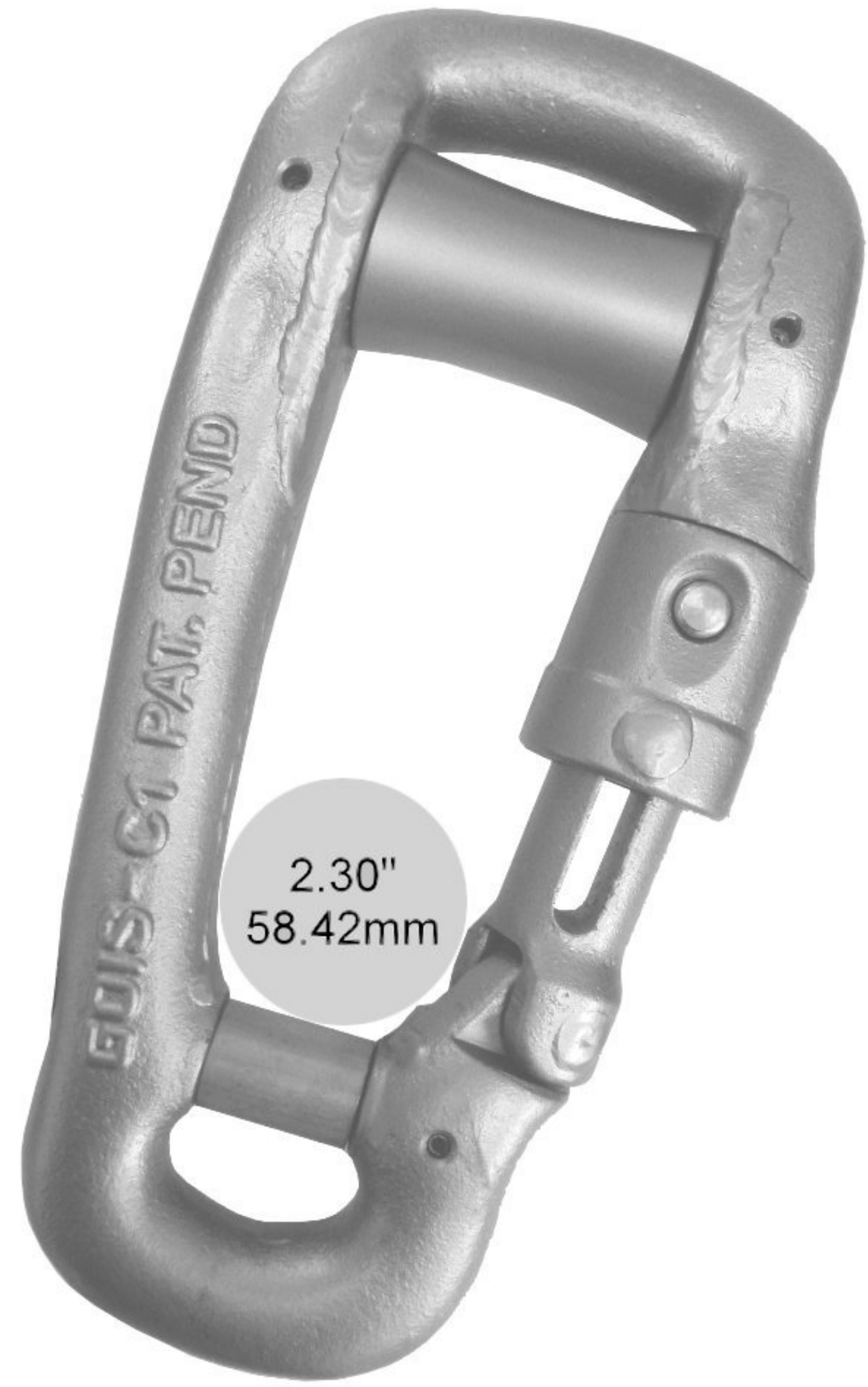


GOIS C1



GOIS C1
DOUBLE ROLLER PURSE RING
WITH SECURE PUSH-BUTTON LOCK

WEIGHT: 16.5 LBS / 7.48 KILOS
WORKING LOAD: 18,200 LBS / 8,256 KILOS

SPARE PARTS LIST C1

<u>Item</u>	<u>Part No.</u>	<u>Weight</u>
Main Roller Assy.	XC1R	1.95 lbs / 0.88 Kilos
Main Shaft	X31R	0.48 lbs / .219 Kilos
Sleeve Assy.	X3XS	1.68 lbs / 0.76 Kilos
Roller #2	1G1R	.39 lbs / .176 Kilos
Push Button Assy.	001P	.06 lbs / .03 Kilos
Tool Set	XXXT	.48 lbs / .22 Kilos

ALL RING FRAMES ARE HOT DIP GALVANIZED AND STAINLESS STEEL HARDFACED TO PREVENT CORROSION AND WEAR