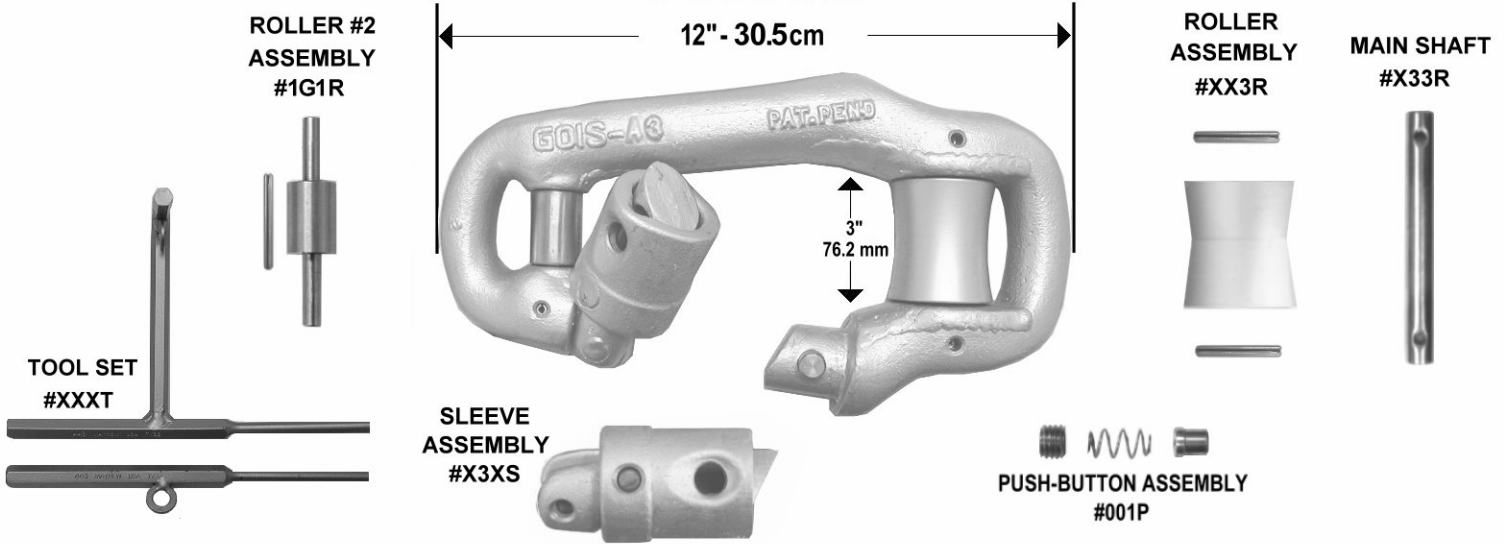


GOIS A3



GOIS A3

**DOUBLE ROLLER PURSE RING
WITH SECURE PUSH-BUTTON LOCK**

WEIGHT: 15.4 LBS / 6.98 KILOS

WORKING LOAD: 18,600 LBS / 8,437 KILOS

SPARE PARTS LIST A3

<u>Item</u>	<u>Part No.</u>	<u>Weight</u>
Main Roller Assy.	XX3R	1.58 lbs / 0.72 Kilos
Main Shaft	X33R	0.38 lbs / 0.17 Kilos
Sleeve Assy.	X3XS	1.68 lbs / 0.76 Kilos
Roller #2	1G1R	.40 lbs / .172 Kilos
Push Button Assy.	001P	.06 lbs / .03 Kilos
Tool Set	XXXT	.48 lbs / .22 Kilos

**ALL RING FRAMES ARE HOT DIP GALVANIZED AND
STAINLESS STEEL HARDFACED
TO PREVENT CORROSION AND WEAR**