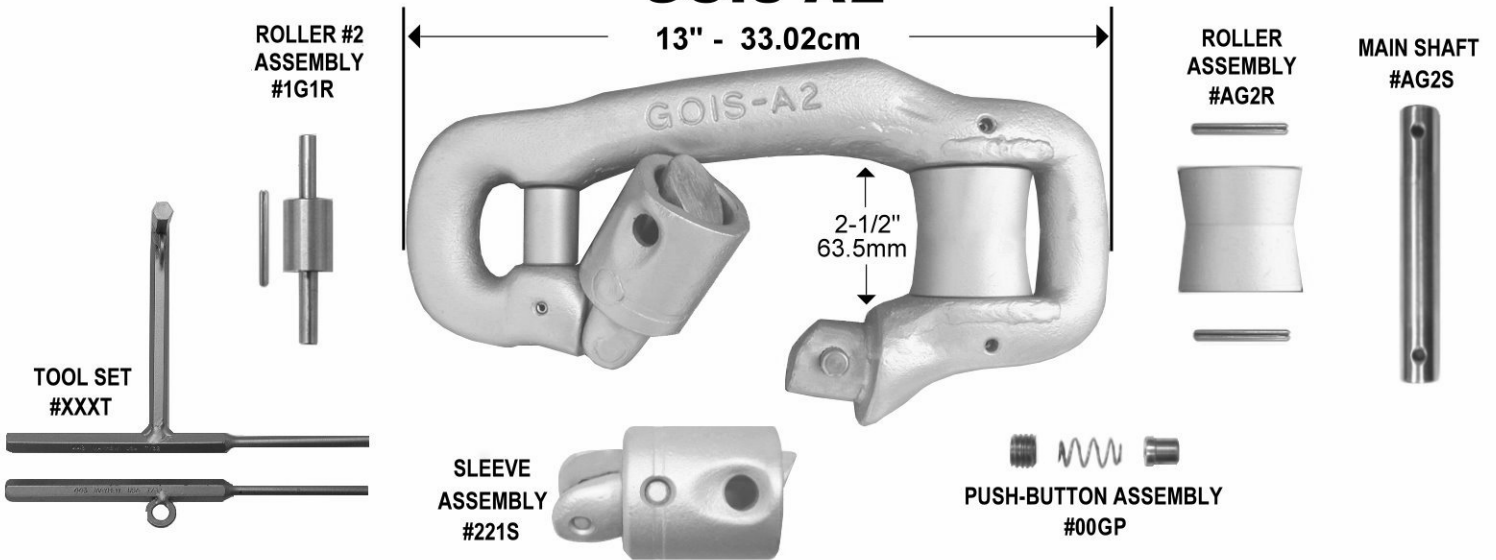


GOIS A2



GOIS A2

**DOUBLE ROLLER PURSE RING
WITH SECURE PUSH-BUTTON LOCK**

WEIGHT: 18.0 LBS / 8.16 KILOS

WORKING LOAD: 24,500 LBS/11,113 KILOS

SPARE PARTS LIST GA2

<u>Item</u>	<u>Part No.</u>	<u>Weight</u>
Main Roller Assy.	AG2R	2.04 lbs / .925 Kilos
Main Shaft	AG2S	0.58 lbs / 0.263 Kilos
Sleeve Assy.	221S	2.11 lbs / 0.96 Kilos
Roller #2	1G1R	.39 lbs / .176 Kilos
Push Button Assy.	00GP	.073 lbs / .33 Kilos
Tool Set	XXXT	.48 lbs / .22 Kilos



**ALL RING FRAMES ARE HOT DIP GALVANIZED AND
STAINLESS STEEL HARDFACED
TO PREVENT CORROSION AND WEAR**