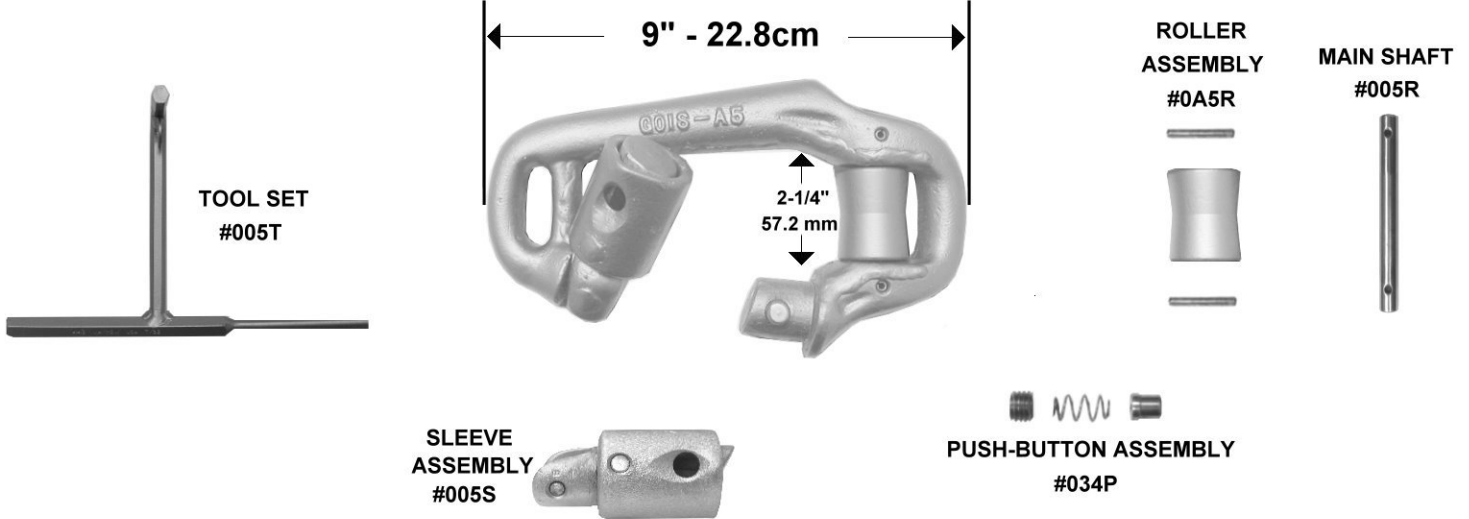


GOIS A5



GOIS A5 ROLLER PURSE RING WITH SECURE PUSH-BUTTON LOCK

WEIGHT: 6.0 LBS / 2.73 KILOS
WORKING LOAD: 7,000 LBS / 3,182 KILOS

SPARE PARTS LIST A-5

<u>Item</u>	<u>Part No.</u>	<u>Weight</u>
Main Roller Assy.	0A5R	0.53 lbs / .24 Kilos
Main Shaft	005R	0.20 lbs / .09 Kilos
Sleeve Assy.	005S	1.03 lbs / .47 Kilos
Push Button Assy.	034P	.04 lbs / .02 Kilos
Tool Set	005T	.27 lbs / .12 Kilos

ALL RING FRAMES ARE HOT DIP GALVANIZED AND STAINLESS STEEL HARDFACED TO PREVENT CORROSION AND WEAR